



## Residential Standby Generator Checklist

All Residential Standby Generator submittals must be reviewed for California code compliance.

- Building Permit Application – Completed and signed
- Generator manufacturer installation instructions / specs
- Transfer switch manufacturer installers instructions / specs
- Completed electrical line diagram (form provided).
- Site Plan (form provided) – To include:
  - Building footprint showing operable windows, doors, vents, and forced air intakes.
  - Generator location with dimensions, pad material, seismic connection and distance to structure. The generator's exhaust outlet must meet the following clearances:
    - Minimum ten (10) feet from any property line.
    - Minimum eighteen (18) inches from exterior walls or roofs of any structure.
    - Minimum ten (10) feet from openings into the building.
  - The generator's ignition source must be a minimum of five (5) feet from a propane regulator.
  - Transfer switch and electrical service locations
  - Electrical raceway (conduit) locations
  - Fuel storage tanks, propane tanks, gas piping and regulator locations
  - Driveway and traffic areas
- Electrical / Line Diagram – To include:
  - Generator brand, model and output rating (W)
  - Transfer switch brand, model and specs
  - Disconnect rating if not included in transfer switch
  - Main manufacturer and rating
  - Sub-panel manufacturer and rating (if used) or total Amps of circuits served
  - Conductor and raceway (conduit) sizes
  - Fuel type and pipe size
  - Ground and bonding requirements

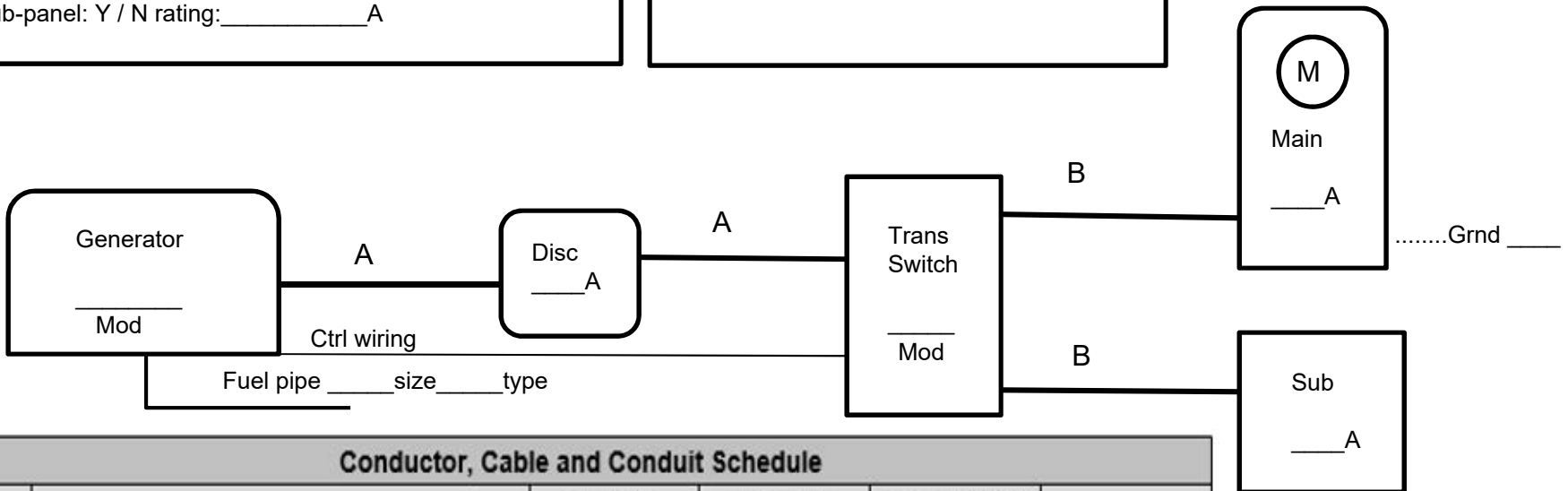
The above submittal requirements apply for permanently installed backup generators and related equipment. Portable gas fired generators do not require a permit, but permanently installed components, such as electrical receptacles, circuits, and interlock assemblies do.

Please contact the Town of Mammoth Lakes Building Division at (760) 965-3632 or (760) 965-3635, or at [buildingtech@townofmammothlakes.ca.gov](mailto:buildingtech@townofmammothlakes.ca.gov) or [tperry@townofmammothlakes.ca.gov](mailto:tperry@townofmammothlakes.ca.gov) for additional information.

# Residential B/U Generator One- and Two-Family Dwellings Line Diagram

Equipment
Generator Model: _____
Generator Rating: _____ W
Transfer switch Model: _____
Disconnect: Y / N rating: _____ A
Main model and rating: _____ / _____ A
Sub-panel: Y / N rating: _____ A

Notes

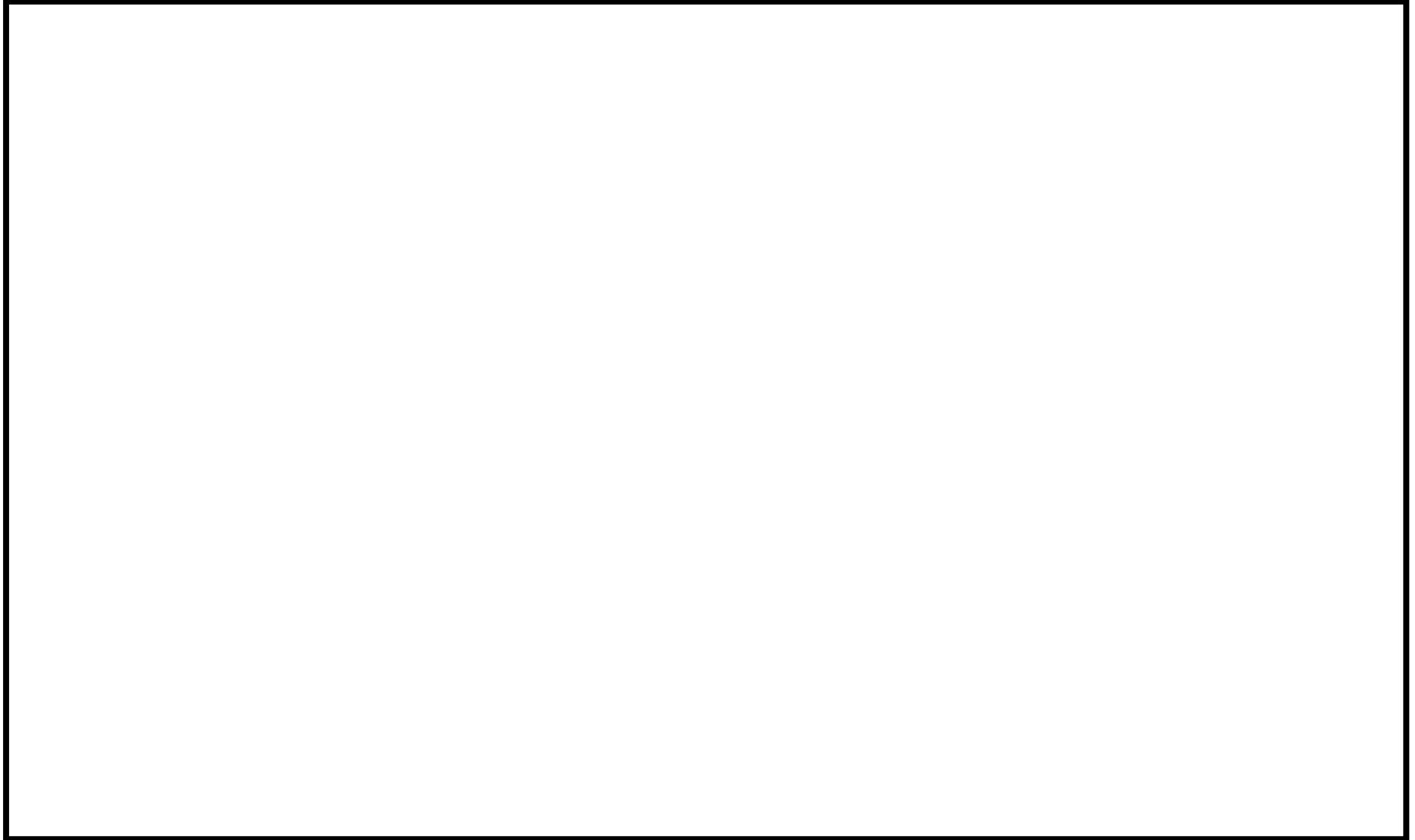


Conductor, Cable and Conduit Schedule					
TAG	Description and Conductor Type: (Table 3)	Conductor Size	Number of Conductors	Conduit/ Conductor/ Cable Type	Conduit Size
A	Current-Carrying Conductors: (for each branch circuit)				
	EGC:				
	GEC (when required):				
B	Current-Carrying Conductors:				
	EGC:				
	GEC (when required):				

Items required: Equipment model, manufacturer and rating. Wire and conduit size. Fuel source pipe size and type. Equipment grounding

# Residential B/U Generator Site Plan

Diagram for One- and Two-Family Dwellings



Items required: Generator location, residence and important structures, operable windows and vents, electrical service, drive and traffic ways, LP fuel tanks, LP fuel distribution lines, LP fuel regulators,