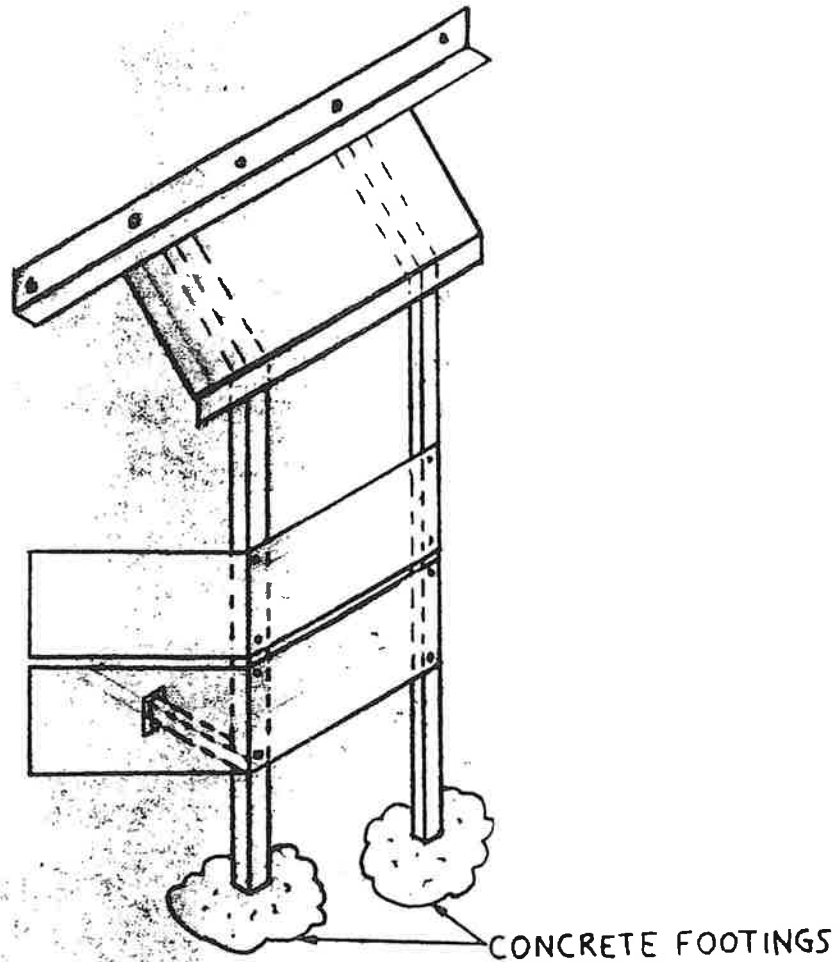
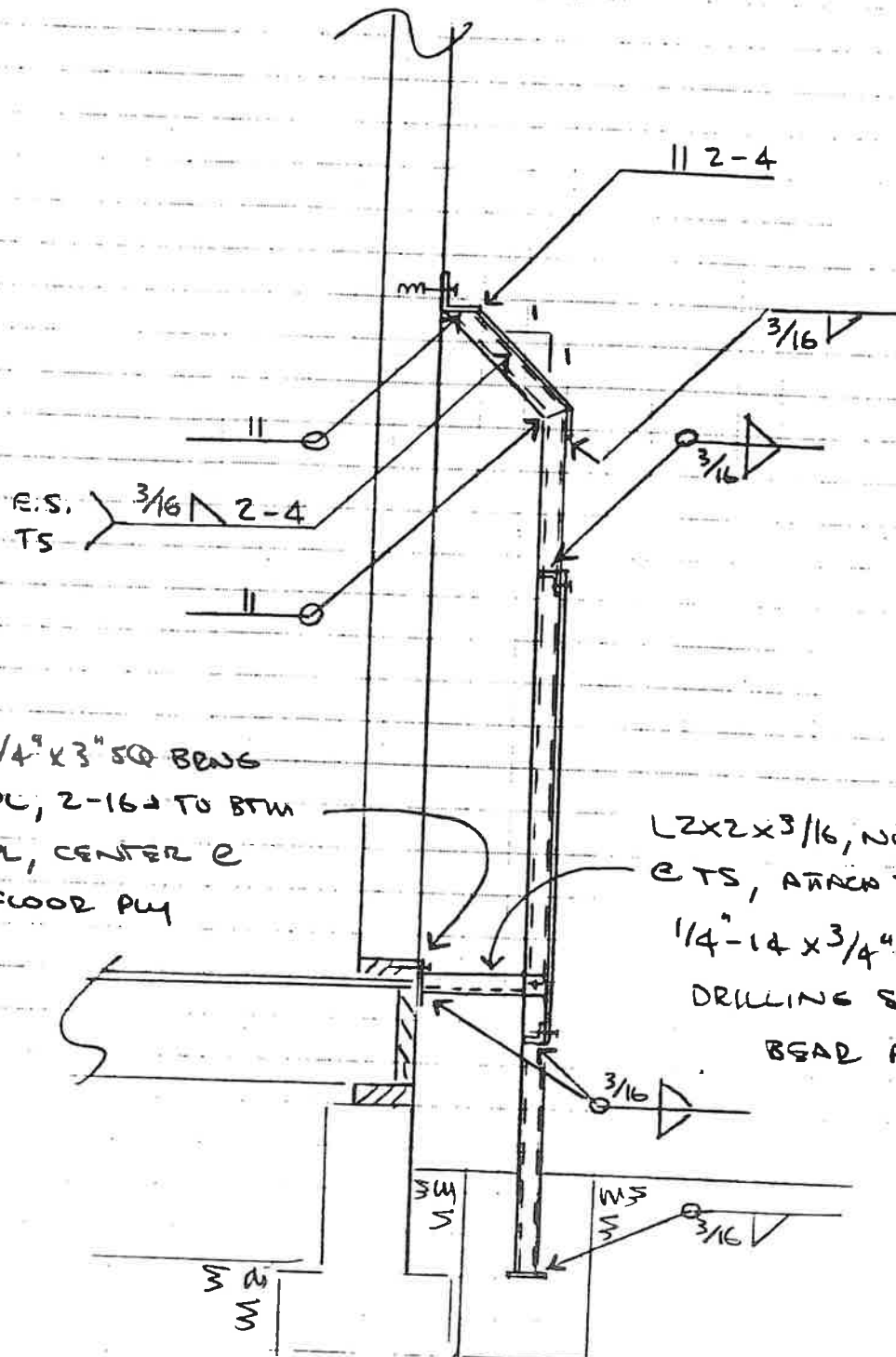


PROPANE METER PROTECTOR



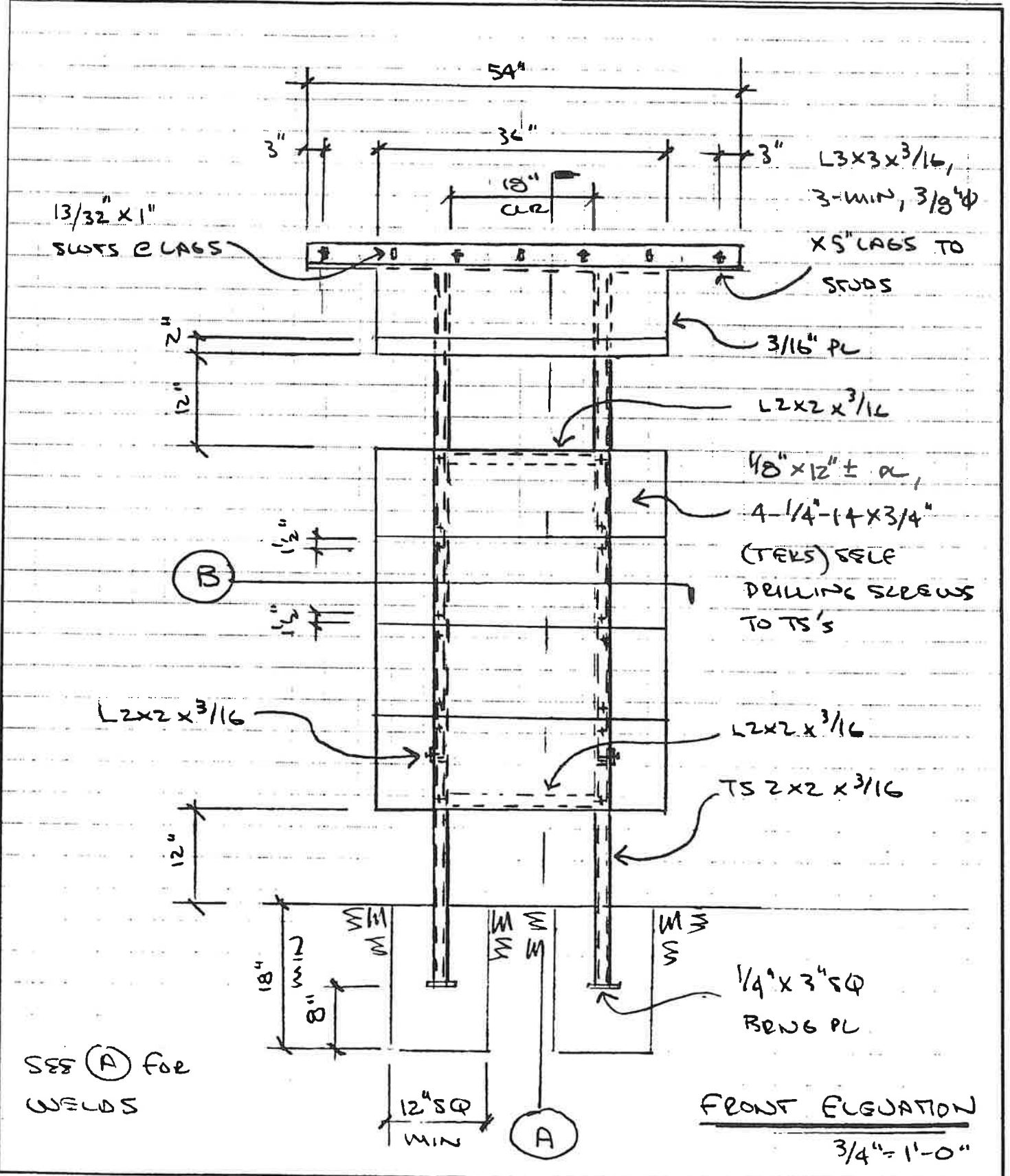
- ALL STEEL CONSTRUCTION
- ENGINEERED TO TOWN SPECIFICATIONS
- SHOT PRIMER PAINTED READY FOR FINISH COAT
- CONCRETE FOOTINGS



$\frac{1}{4}'' \times 3''$ SQ BEWG
 PL, 2-16 TO BTM
 PL, CENTER @
 FLOOR PL

L2X2X $\frac{3}{16}$, NOTCH HORIZ LEG
 @ TS, ATTACH TO TS W/
 $\frac{1}{4}''-14 \times \frac{3}{4}''$ (TSK) SELF
 DRILLING SCREW, TS TO
 BEAD AGAINST HORIZ
 LEG

(A)



13/32" x 1"
SLOTS & LAGS

L3x3x3/16,
3-MIN, 3/8" φ
X5" LAGS TO
STUDS

3/16" PL

L2x2x3/16

1/8" x 12" ± PL,
4-1/4" x 14 x 3/4"
(TEKS) SELF
DRILLING SCREWS
TO TS'S

L2x2x3/16

L2x2x3/16

TS 2x2x3/16

1/4" x 3" SQ
BENG PL

SEE (A) FOR
WELDS

FRONT ELEVATION
3/4" = 1'-0"

